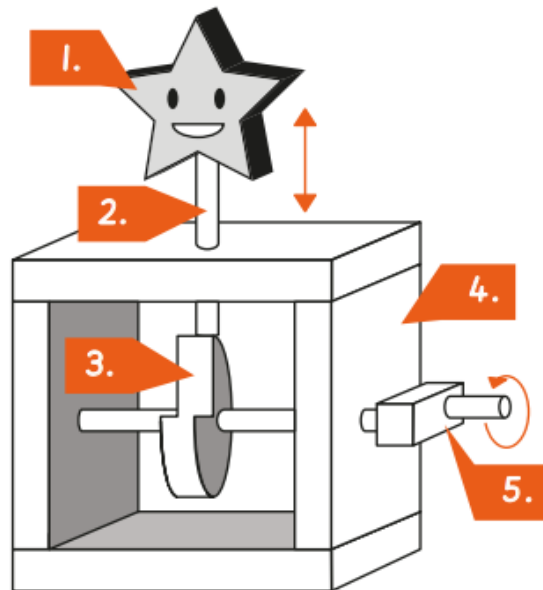


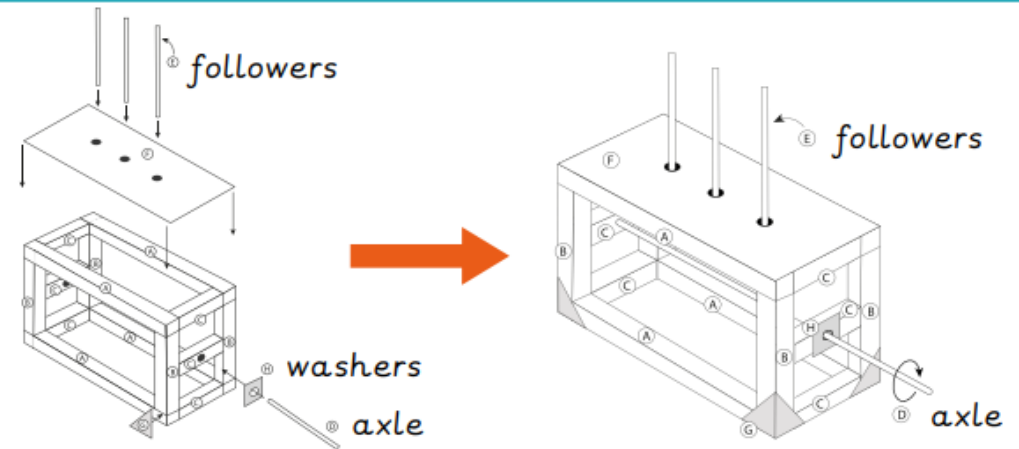
Automata toy components:

1. Character.
2. Follower.
3. Cam.
4. Frame.
5. Axle attached to handle.



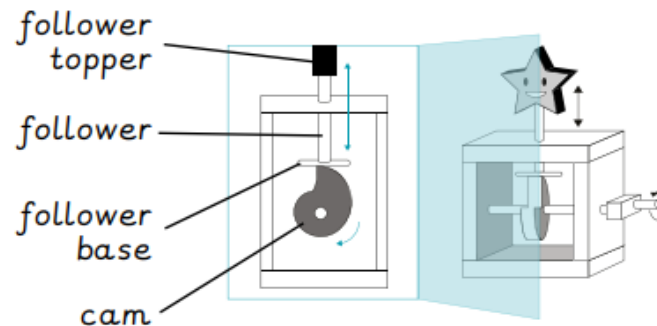
Automata toys use a **mechanical system** of **cams**, **axles** and **followers** to create movement in a character or object.

Exploded diagrams



Exploded diagrams communicate how the parts of a product fit together. They help when making the product.

Cross-sectional diagrams



Cross-sectional diagrams help designers to **communicate** how a product works by showing the inside. Imagine a cut down the middle.